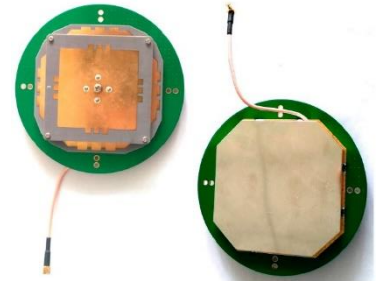


**RAPX-MBD1-4M-A**

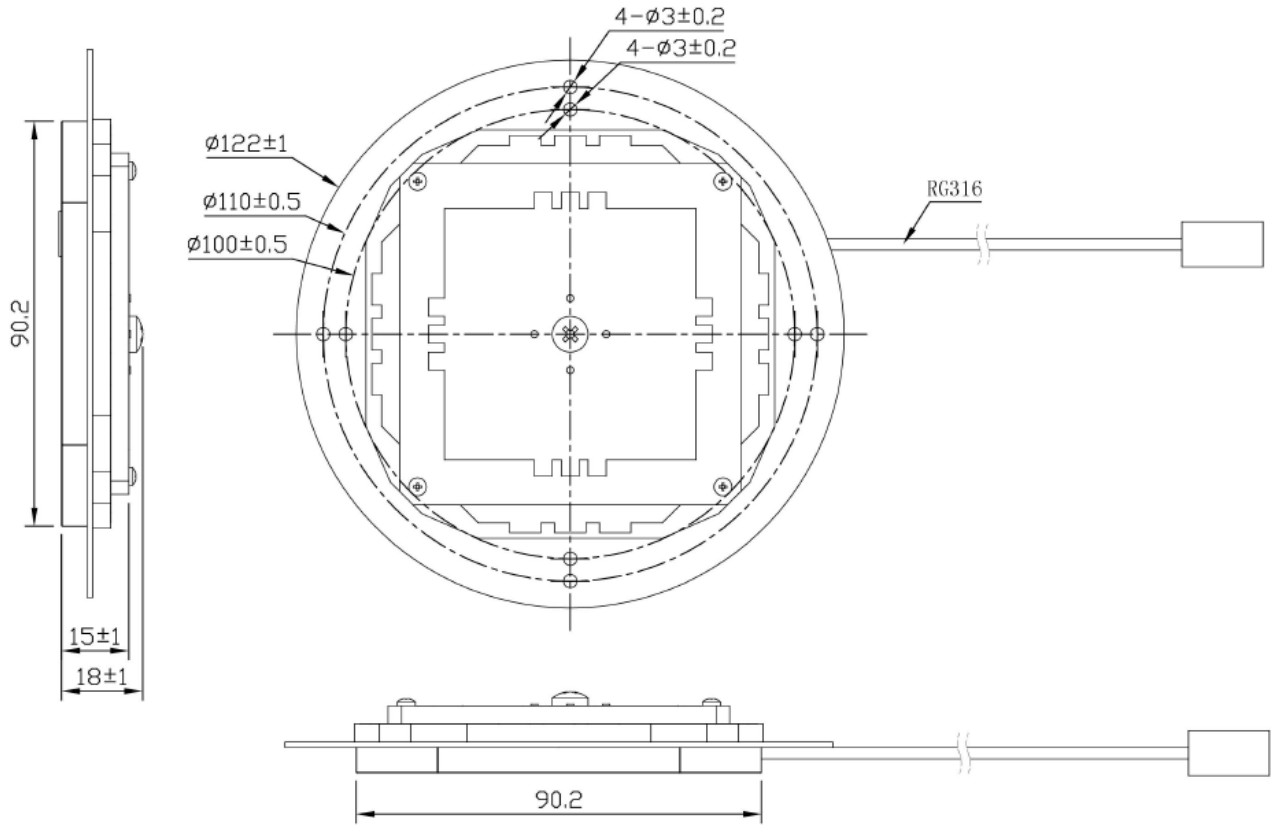
**Specifications**



Parameters		Value	Unit
Antenna	Frequency Range	<b>GPS:</b> L1/L2	-
		<b>GLONASS:</b> G1/G2	-
		<b>COMPASS:</b> B1/B2/B3	-
		<b>Galileo:</b> E1/L1/E2/E5b/E6	-
	Polarization	RHCP	-
	Axial Ratio max,	3	dB
	VSWR, max	1.5	-
	Peak Gain, min	5	dBi
	Impedance	50	Ω
	Phase Center Error	±2	mm
Horizontal Coverage Angle	360	°	
LNA	Gain	40 ±2	dB
	Noise Figure, max	1.5	dB
	Passband Fluctuation	±1.5	dB
	Supply Voltage	3 ~ 12	V DC
	Current Consumption, max	50	mA
	VSWR, max	2.0	-
Connector	MCX	-	
Radome Material	ABS	-	
Mounting Method	Screw or Embedded	-	
Operating Temperature Range	-40 ~ +85	°C	
Relative Humidity, max	95	%	
Environmentally Friendly	RoHS Compliant	-	

RAPX-MBD1-4M-A

Dimensions



Unit: mm

APPROVAL

DRAWN BY	KW, 09/05/2019
APPROVED BY	AR
REVISION	A, Initial Release