

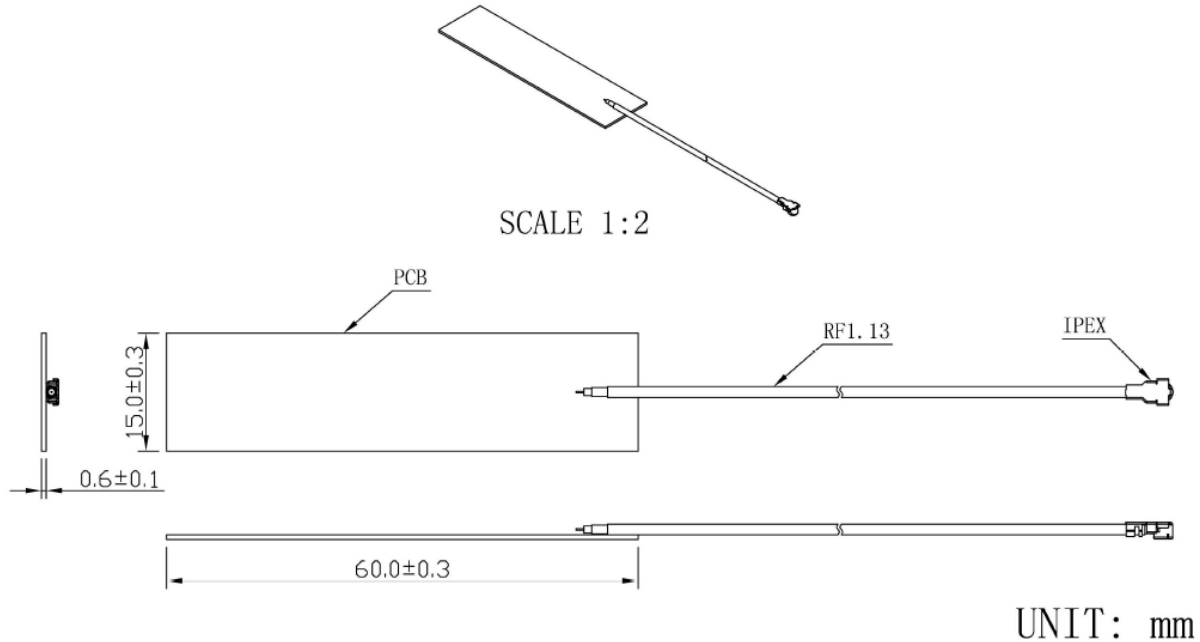
RCPX-2441.75-5362.5-O-A

Specifications

Parameters	Value		Unit
Frequency Range	2400 ~ 2483.5	4900 ~ 5825	MHz
Polarization	Linear		-
Gain	3		dBi
VSWR, max	2.0		-
Impedance	50		Ω
PCB Dimensions	60 x 15 x 0.6		mm
Cable	RF1.13		-
Connector	IPEX		-
Mounting Way	Adhesive		-
Operating Temperature Range	-40 ~ +85		$^{\circ}\text{C}$
Vibration (with 1.5 mm amplitude 2 hours)	10 ~ 55		Hz
Environmentally Friendly	RoHS Compliant		-



Dimensions



APPROVAL

DRAWN BY	KW, 09/05/2019
APPROVED BY	AR
REVISION	A, Initial Release