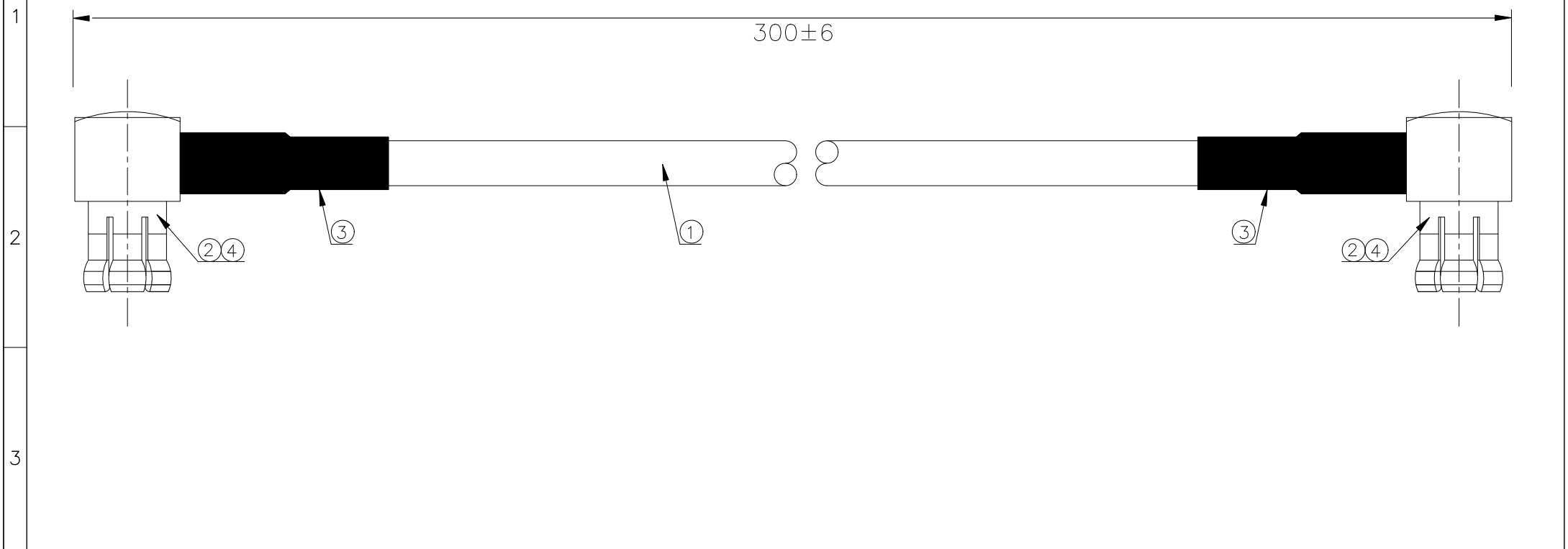


A		B		C		D		E	
REV.	DESCRIPTION				ECN NO.	NAME	DATE		
A	NEW RELEASE					Jo	12-NOV-2013		



ELECTRICAL PROPERTIES :

1. IMPEDANCE : 75 OHMS
2. FREQUENCY RANGE : 0~3GHz
3. WORKING VOLTAGE : 335 VRMS MAXIMUM
4. DIELECTRIC WITHSTANDING VOLTAGE : 750 VRMS MAXIMUM

NOTES:

1. THIS COMPONENT AND ITS HOMOGENEOUS SUBCOMPONENTS ARE RoHS COMPLIANT.

④	BODY CAP	BODY CAP GOLD PLATED.	2
③	TUBE	HEAT SHRINK TUBE COLOR: BLACK.	2
②	CONNECTOR	MCX R/A PLUG GOLD PLATED.	2
①	CABLE	RG 179 COAXIAL CABLE, 75 OHMS, BRAID SHIELD, COLOR: BROWN.	1
NO.	ITEM	DESCRIPTION	QTY.

DIM.	TOL.
X.	± 1.00
X.X	± 0.50
X.XX	± 0.25
X.XXX	± 0.15
ANGL	± 3°

TITLE:
CABLE RG179 MCX R/A PLUG TO MCX
R/A PLUG COLOR: BROWN L=300mm

DWG. NO.:
RT-CB11-ACA01048001-2

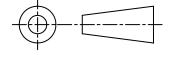
DRAWN:
Jo

CHECKED:
MILO

APPROVED:
PETER

**RANODA
Technology**

RFQ NO.:



UNIT: mm	DWG SIZE: A4	SCALE: none	SHEET: 1 OF 1
-------------	-----------------	----------------	------------------