

A

B

C

D

E

1

2

3

4

1.MATERIAL:

- 1.1 INSULATOR: TEFLON;
INSULATOR COLOR: NONE.
- 1.2 CONTACT: COPPER ALLOY.
- 1.3 BODY: COPPER ALLOY.
- 1.4 CABLE-BODY: COPPER ALLOY.
- 1.5 SPRING: STEEL.

2.FINISH:

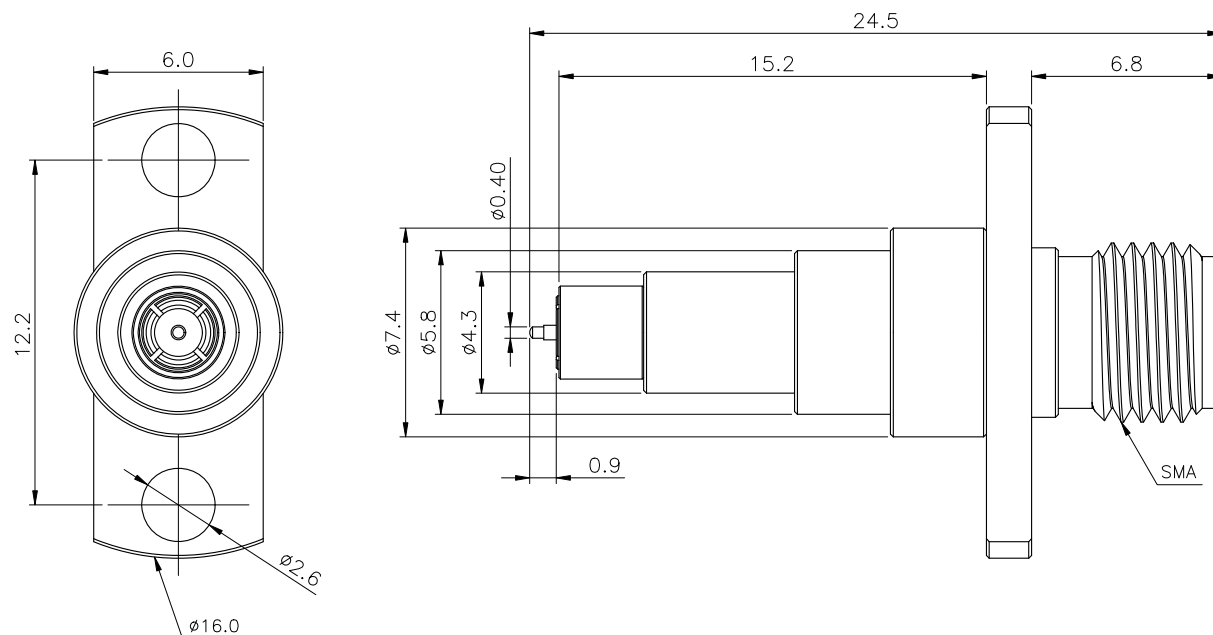
- 2.1 CONTACT: GOLD FLASH PLATED OVERALL.
- 2.2 BODY: GOLD FLASH PLATED OVERALL.
- 2.3 CABLE-BODY: GOLD FLASH PLATED OVERALL.
- 2.4 SPRING: GOLD FLASH PLATED OVERALL.

3.ELECTRICAL DATA:

- 3.1 IMPEDANCE: 50Ω.
- 3.2 FREQUENCY RANGE: DC 6GHz.
- 3.3 VSWR: 1.35 MAX.

4.NOTES:

- 4.1 THIS COMPONENT AND ITS HOMOGENEOUS SUBCOMPONENTS ARE RoHS COMPLIANT.

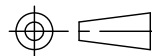


5

REV.	DESCRIPTION	ECN NO.	NAME	DATE
A	NEW RELEASE		Julia	Aug.05.2013

REVISIONS

DIM.	TOL.
X	
X.X	±0.50
X.XX	±0.25
X.XXX	±0.15
GENERAL ANGLE:	
	±3°

TITLE: RF SWITCH PROBE TEST CONNECTOR TO SMA CONNECTOR
ADAPTER

DWG. NO.: C-RF3181-0801

DRAWN: Julia

PART NO.: RT-RF3181-0801

CHECKED: Milo

UNIT: mm

SCALE: none

SHEET: 1 OF 1

DWG. SIZE: A4

LAYER: CN030

APPROVED: Peter

RFQ NO.:

RT